

## ▶▶ Round Access Cover TT8

Completely made from stainless steel

**Applicable as access in drinking water tanks, waste water plants and biogas plants, especially for maintenance and repair.**

**Access cover**, pressure-tight up to a water gauge of 5 m, ready for installation, completely made from 4301/1.4307 stainless steel, can be lined on both sides.

**Blank cover** with lock and two handles for easy operation. Locking by means of screwed joints.

**Frame**, designed as F-piece with centrally welded wall flange. Frame with lifting eyes.

Blank cover and frame shielded arc-welded and acid bath cleaned before washing, drying and surface passivation.

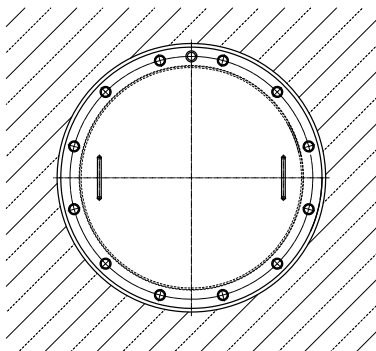
### Application:

- ▶ Drinking water (rubber seal KTW-certificated)
- ▶ Waste water (rubber seal SBR)
- ▶ Biogas (rubber seal EPDM E628 70 ± 5 Shore)

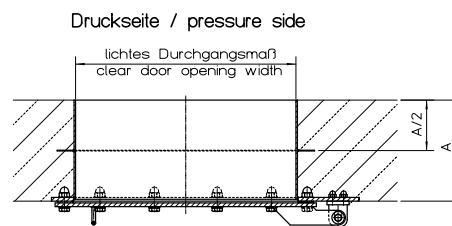
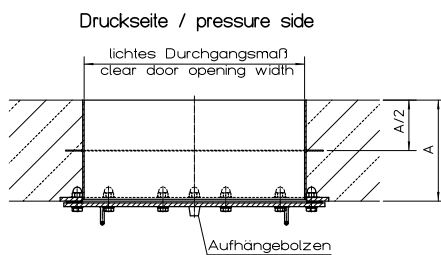
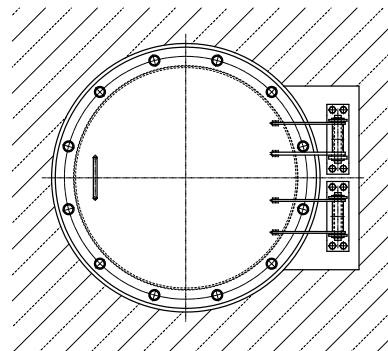
### Special accessories available on request:

- ▶ 1.4571/1.4404 stainless steel
- ▶ Sanded all sides for improved tightness in the concreted cover area
- ▶ Stable maintenance-free hinges screwed to the frame, can be lined on both sides. (Please indicate the door opening option.)

Mannloch - Standard Ausführung/  
Access cover - standard version



Mannloch - Sonder Ausführung mit Scharnier/  
Access cover - special version with hinge



Nominal Size Order no.	Clear wall opening $\varnothing$	Wall flange dimension $\varnothing$	For wall thickness A
0600	600	710	
0800	800	910	

Ask for further dimensions. All measurements in mm.

# HUBER SE

Industriepark Erasbach A1 · D-92334 Berching  
Phone: +49-84 62-201-0 · Fax: +49-84 62-201-810  
info@huber.de · Internet: www.huber.de

Subject to technical modification  
Drawing No. 190.171/1

Round Access Cover TT8