

# HP2 CONVEYOR PRESS

Dewaterers - compacts - transports



## Function

HP2 screenings compactor is an hydraulic piston press that dewateres and compresses the screenings with help from the counter pressure that the already compressed screenings create in the closed discharge pipe. The reject water is drained in slits in the cylindrical compacting zone to the reject water box, which is mounted around the compacting zone. The screenings are then transported in the pipe system to a container or similar.

## Advantages

- Good transportability, up to 8 m horizontally with 3 m vertical lift for municipal screenings.
- Compact Construction.
- Hygienic and closed transport of screenings.

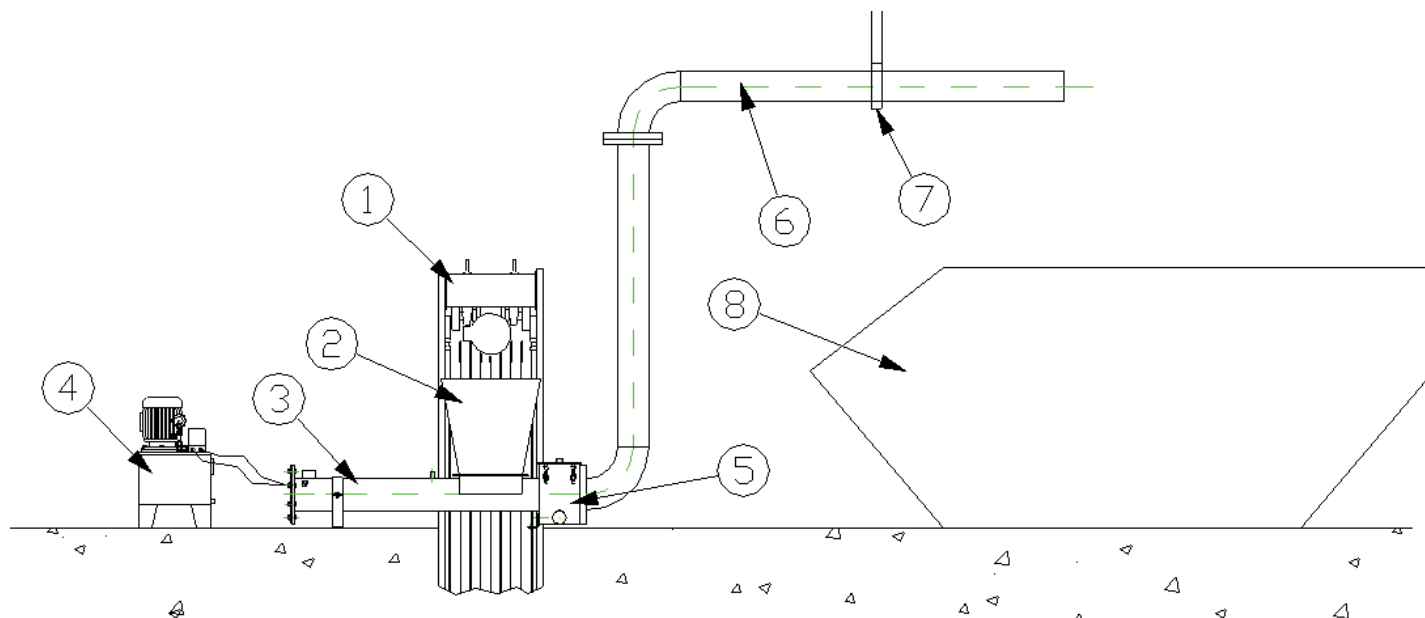
## Technical data, dimensions

Model:	HP2-150/300	HP2-150/500	HP2-150/700	HP2-200/500	HP2-200/1000
Hydraulic unit:	HA 2	HA 4	HA 4	HA 7 HA 13	HA 13
Electrical motor:	1,5 kW/3,8 A	1,5 kW/3,8 A	1,5 kW/3,8 A	2,2 kW/5,6 A 3,0 kW/7,8 A	3,0 kW/7,8 A
Capacity: (wet screenings)	0,3 m <sup>3</sup> /h	0,4 m <sup>3</sup> /h	0,3 m <sup>3</sup> /h	0,5 m <sup>3</sup> /h 0,9 m <sup>3</sup> /h	0,5 m <sup>3</sup> /h

Model:	HP2-250/500	HP2-250/1000	HP2-300/500	HP2-300/1000	HP-430/500
Hydraulic unit:	HA 7 HA 13	HA 13	HA 13 HA 23	HA 23	HA23
Electric motor:	2,2 kW/5,6 A 3,0 kW/7,8 A	3,0 kW/7,8 A	3,0 kW/6,9 A 4,0 kW/8,9 A	4,0 kW/8,9 A	5,5 kW/8,9 A
Capacity: (wet screenings)	0,7 m <sup>3</sup> /h 1,4 m <sup>3</sup> /h	0,8 m <sup>3</sup> /h	1,2 m <sup>3</sup> /h 2,0 m <sup>3</sup> /h	1,2 m <sup>3</sup> /h	3,0 m <sup>3</sup> /h

### Material

- Main unit, made entirely out of stainless steel, SS2333 (304) as standard. As option in SS2343 (316).
- Press piston made out of plastic (PA6) with reinforcements in stainless steel.
- Hydraulic unit coated with two component epoxy paint.



1. Step Screen® or other screen
2. Hopper
3. Screenings compactor
4. Hydraulic unit

5. Reject water box
6. Pipe system
7. Pipe support
8. Container

Hydropress HUBER AB  
Box 125  
437 22 Lindome  
Sweden

Tel. +46 (0)31-99 64 60  
Fax +46 (0)31-99 51 33  
E-mail: [info@hubersverige.se](mailto:info@hubersverige.se)  
Internet: [www.hubersverige.se](http://www.hubersverige.se)

We reserve the right to technical changes